

KENWOOD

MOUNTING BRACKET FOR LZH-70W OVERHEAD CONSOLE

SK-70MB

INSTALLATION MANUAL

KENWOOD USA CORPORATION

Before you begin:

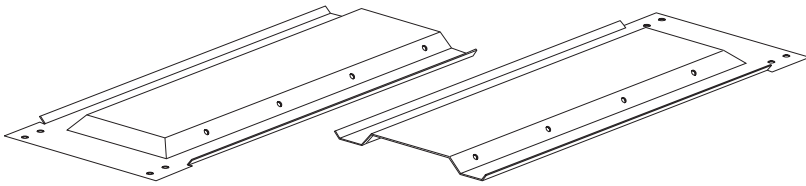


WARNING

- To minimize the risk of improper installation, Kenwood recommends that the installation of this product be performed by an MECP-Certified professional installer. Improper installation may cause damage to the vehicle or injury to the driver and occupants.
- Installation must be performed according to the product installation manual. Kenwood is not responsible for damages or injuries resulting from installation not performed strictly in accordance with the procedures described in the manual.
- This product is designed only to be used with the LZH-70W overhead console.
- Use only new, unused and properly-sized fasteners to install this product. Do not use previously-installed or worn fasteners.
- No modifications to the product or mounting hardware are permitted.
- The monitor screen that attaches to this product must not be visible to the driver. Viewing by the driver while operating the vehicle will create an unsafe condition.
- This product must not obstruct the driver's rear view when installed or used.
- It is the responsibility of the purchaser and installer to comply with all applicable laws and regulations governing the installation and use of this product.
- Kenwood disclaims all liability for any property damage or personal injury that may result from improper or unintended installation or use of this product.

Box contents

Unpack your SK-70MB carefully and make sure that everything listed here is present. If anything is missing, notify your dealer immediately. If your SK-70MB was shipped to you directly, notify your shipper immediately.



2 x Bracket Halves

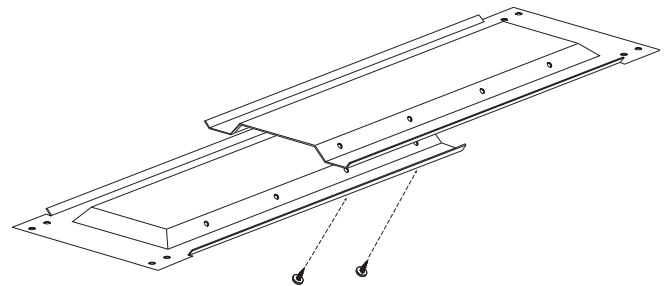


1 x Hardware Package

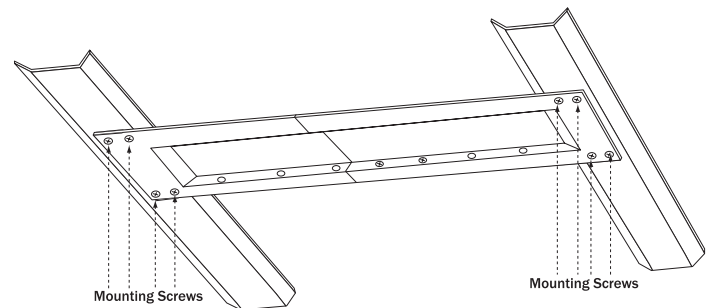
Installation procedure

Note: Before installing the SK-70MB, it will be necessary to remove the vehicle's headliner. Refer to the LZH-70W Installation Manual for more complete installation information.

1. Fit the mounting bracket halves together so they span the distance between the vehicle roof crossmembers that are directly fore and aft of the console mounting location.
2. Use a marking pen to mark the top bracket half through 2 of the pilot holes on each angled side of the bottom bracket half. Use 4 of the supplied 1/2" self-tapping screws to connect the bracket halves together.
3. Using 4 screws on each end, attach the bracket to the crossmembers on the vehicle's centerline
 - Be sure not to drill through the vehicle's roof (Measure the distance from the bracket's surface to the roof; measure and mark the drill bit with masking tape to prevent the bit from touching the roof when drilling the holes)
 - If the roof crossmembers are too narrow for you to use 4 screws on each end of the bracket, use 2 screws on each end



Step 2: Connecting the bracket halves together



Step 3: Attaching the bracket to the crossmembers

KENWOOD

www.kenwoodusa.com

www.kenwoodusa.com/inquiry

1-800-KENWOOD

Main Office

P.O. Box 22745

Long Beach, CA 90801-5745

Canada Office

6070 Kestrel Road

Mississauga, Ontario L5T 1S8